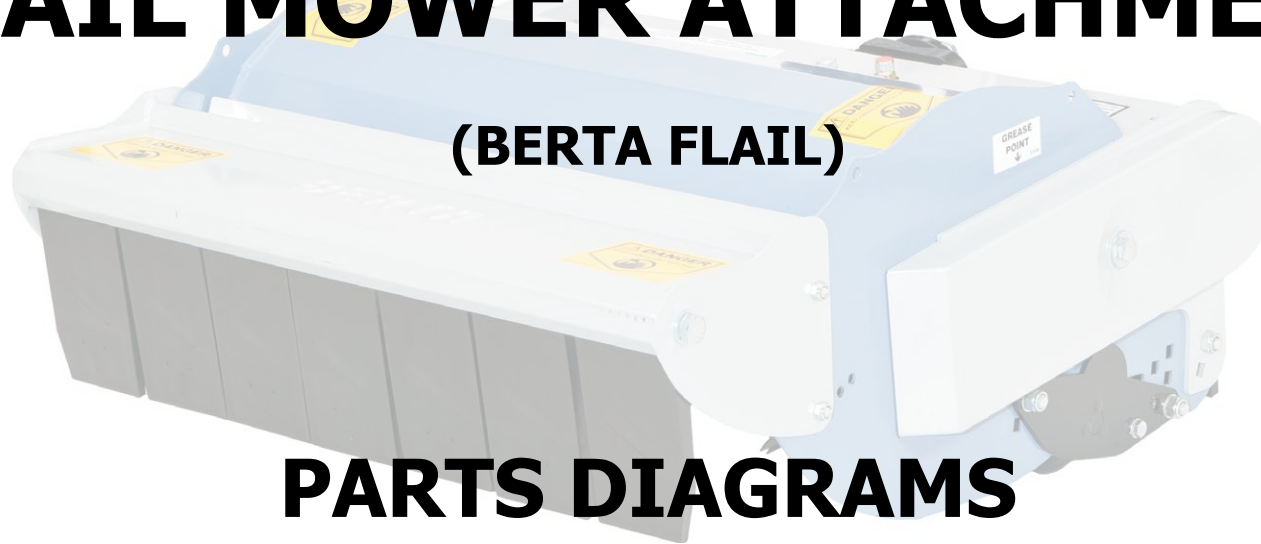


BERTA s.r.l.

FLAIL MOWER ATTACHMENT

(BERTA FLAIL)



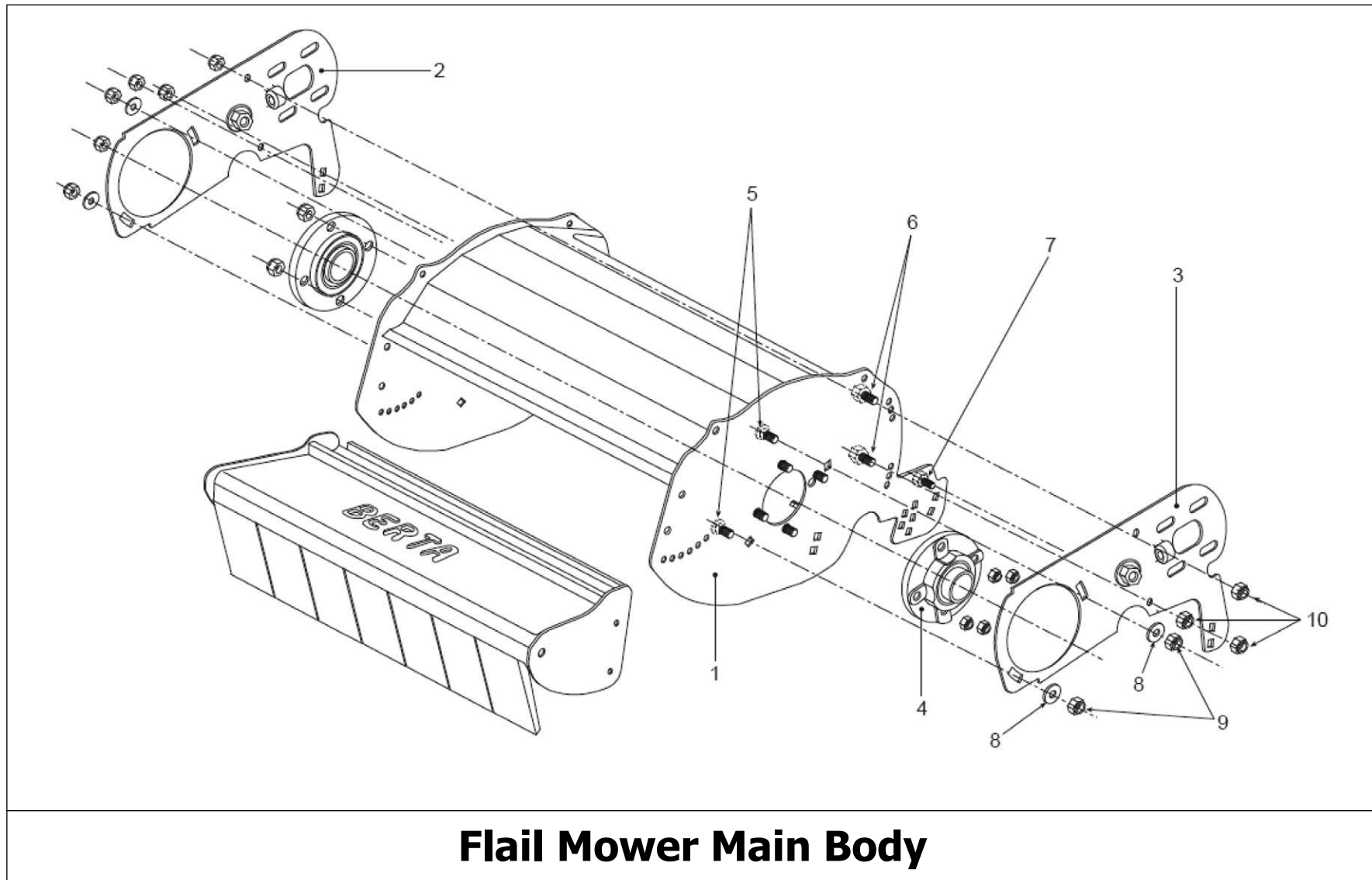
PARTS DIAGRAMS

 **TRACMASTER**
The landscape machinery specialists

Tracmaster Ltd | Sovereign Centre | Victoria Road | Burgess Hill | RH15 9LR | UK

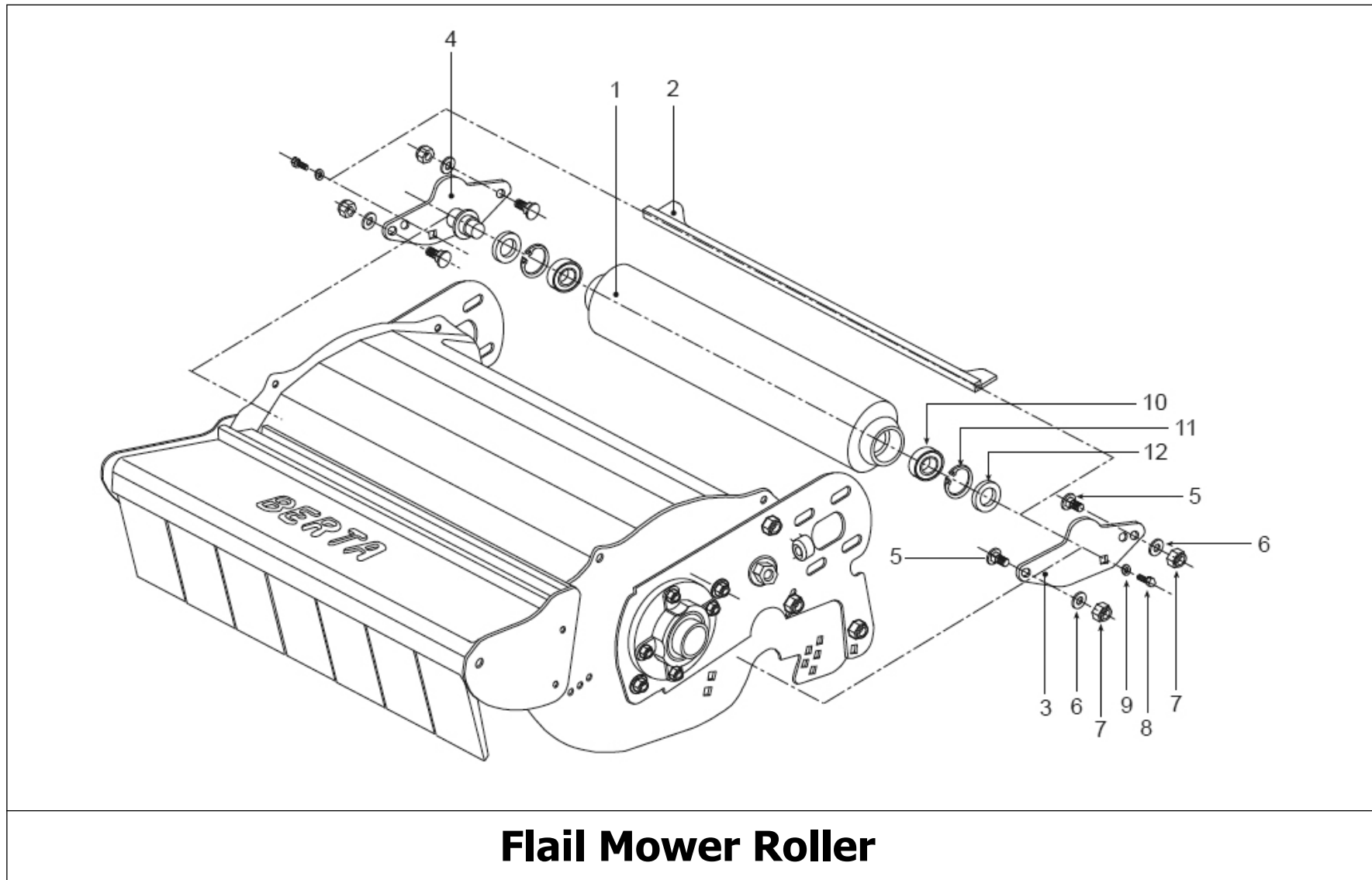
Tel: +44 (0)1444 247689 | F: +44 (0)1444 871612 | www.tracmaster.co.uk | spares@tracmaster.co.uk

Berta Flail Mower Attachment

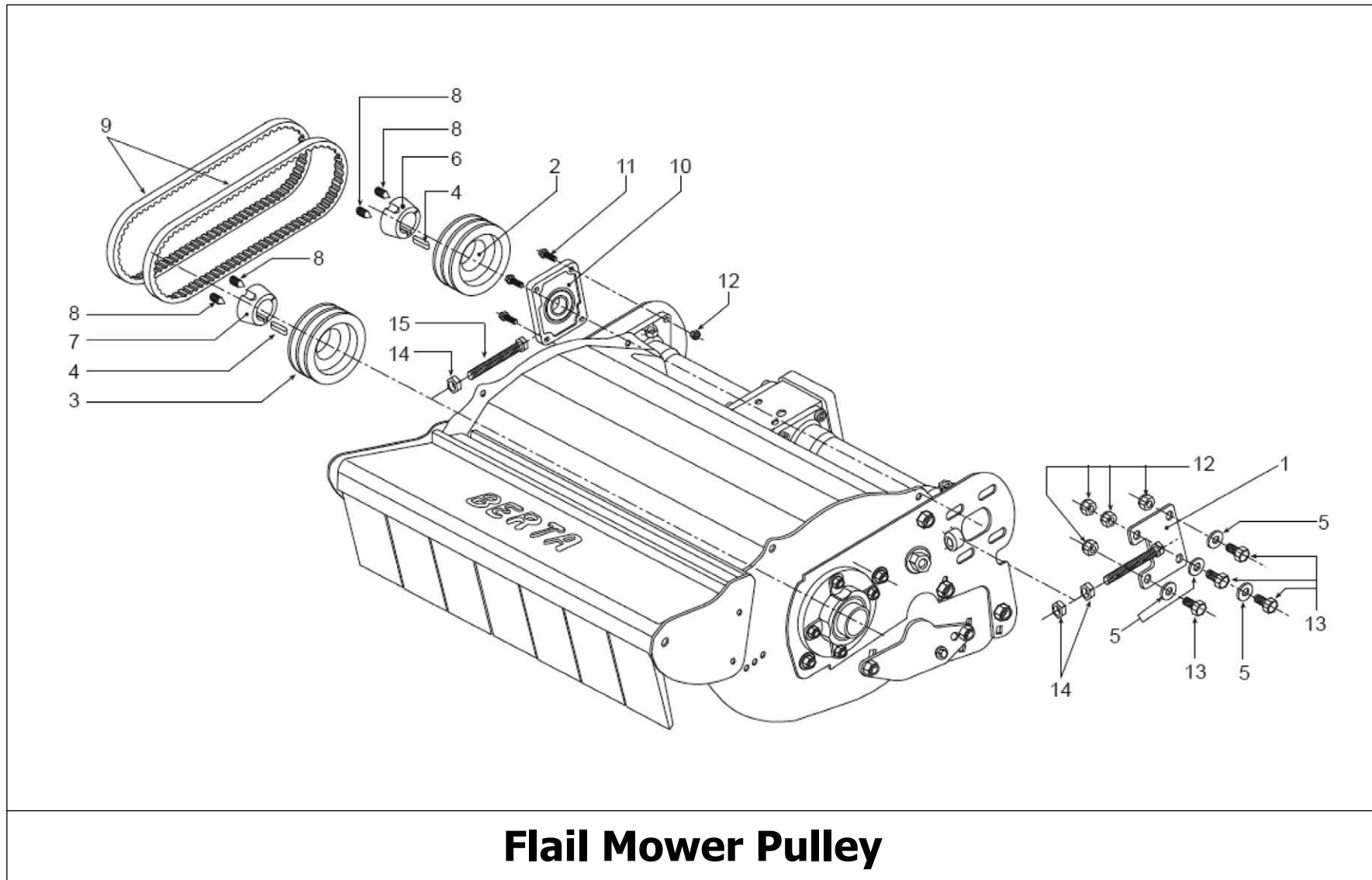


Flail Mower Main Body

Berta Flail Mower Attachment

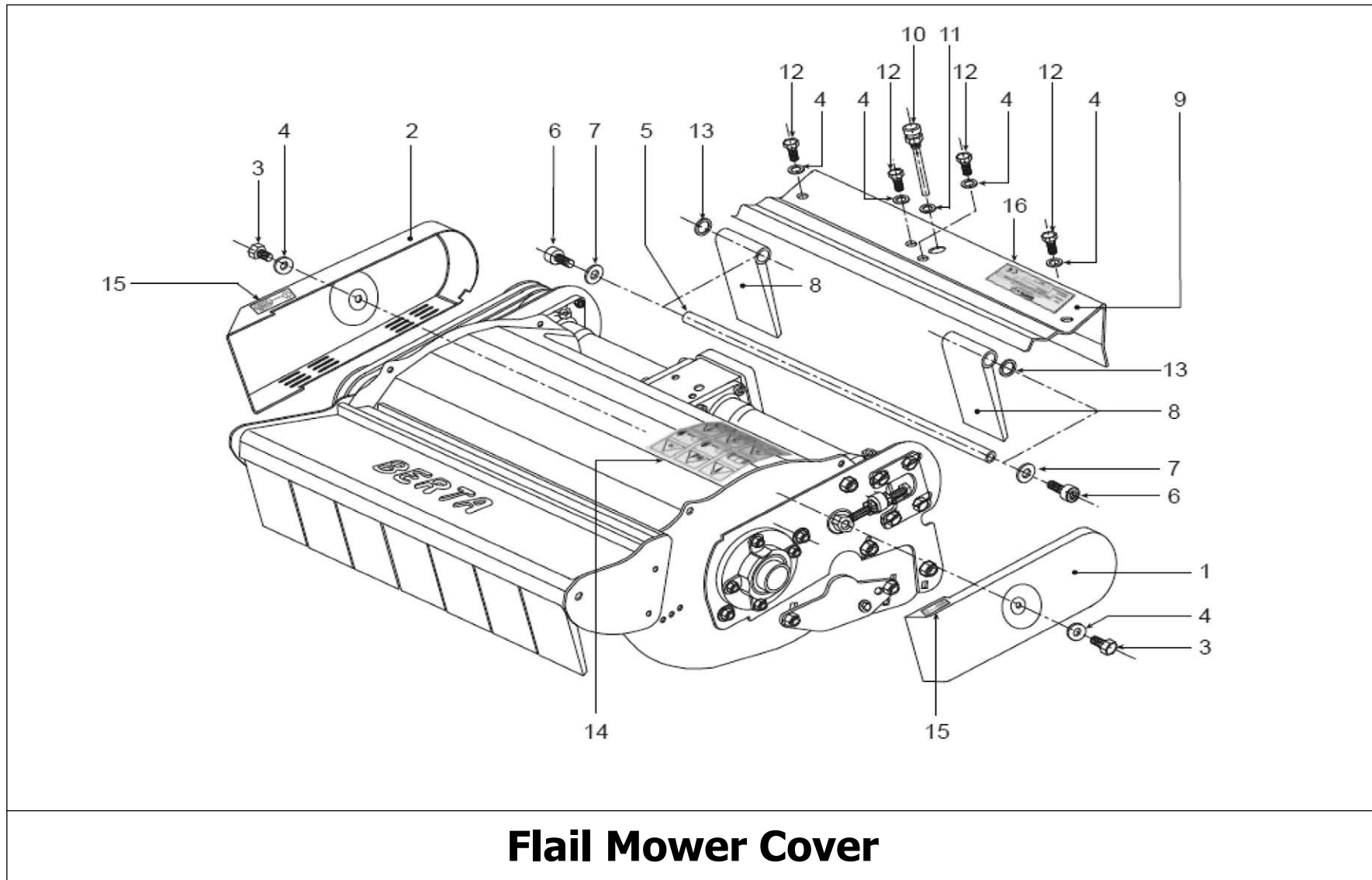


Berta Flail Mower Attachment



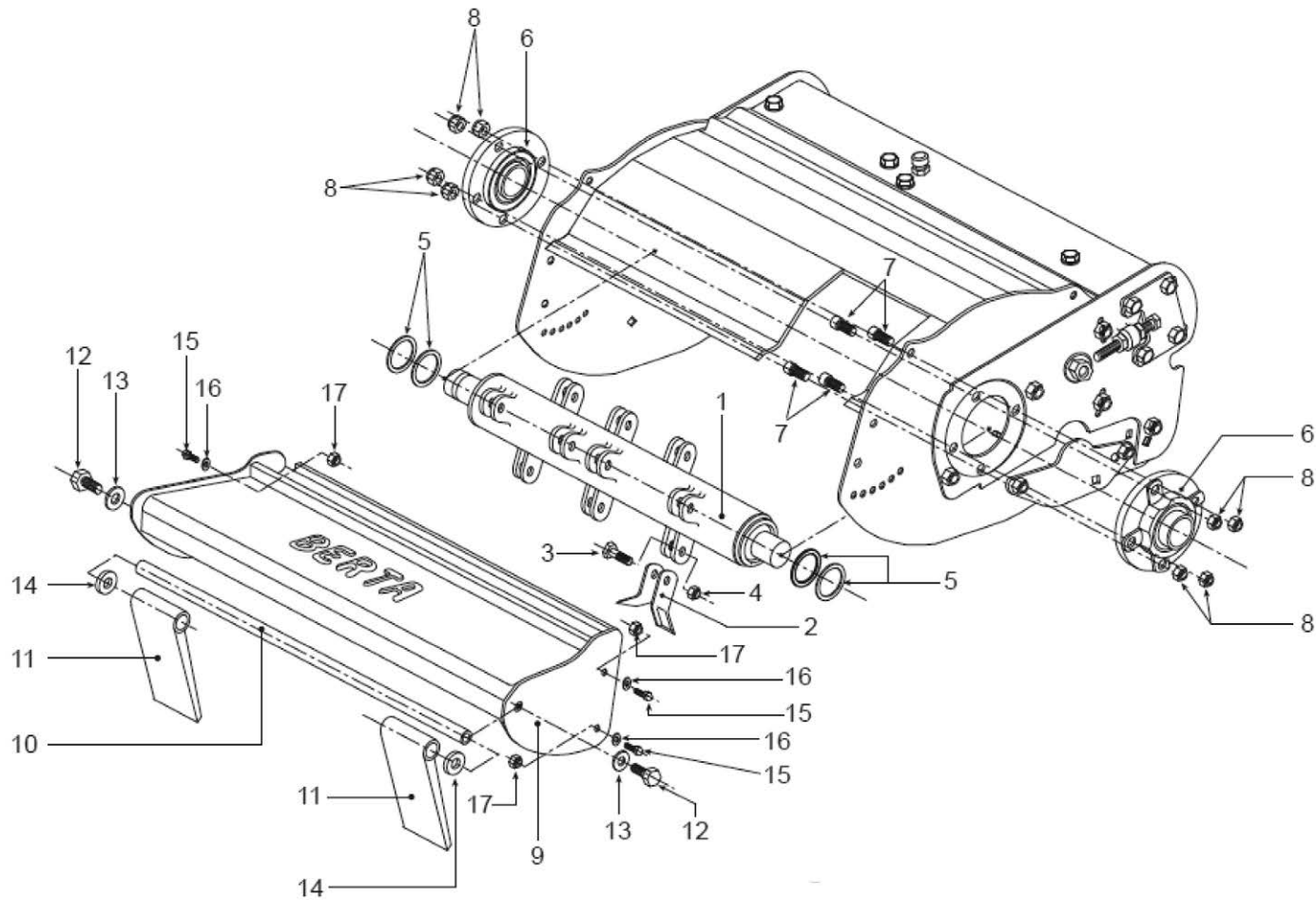
Flail Mower Pulley

Berta Flail Mower Attachment



Flail Mower Cover

Berta Flail Mower Attachment



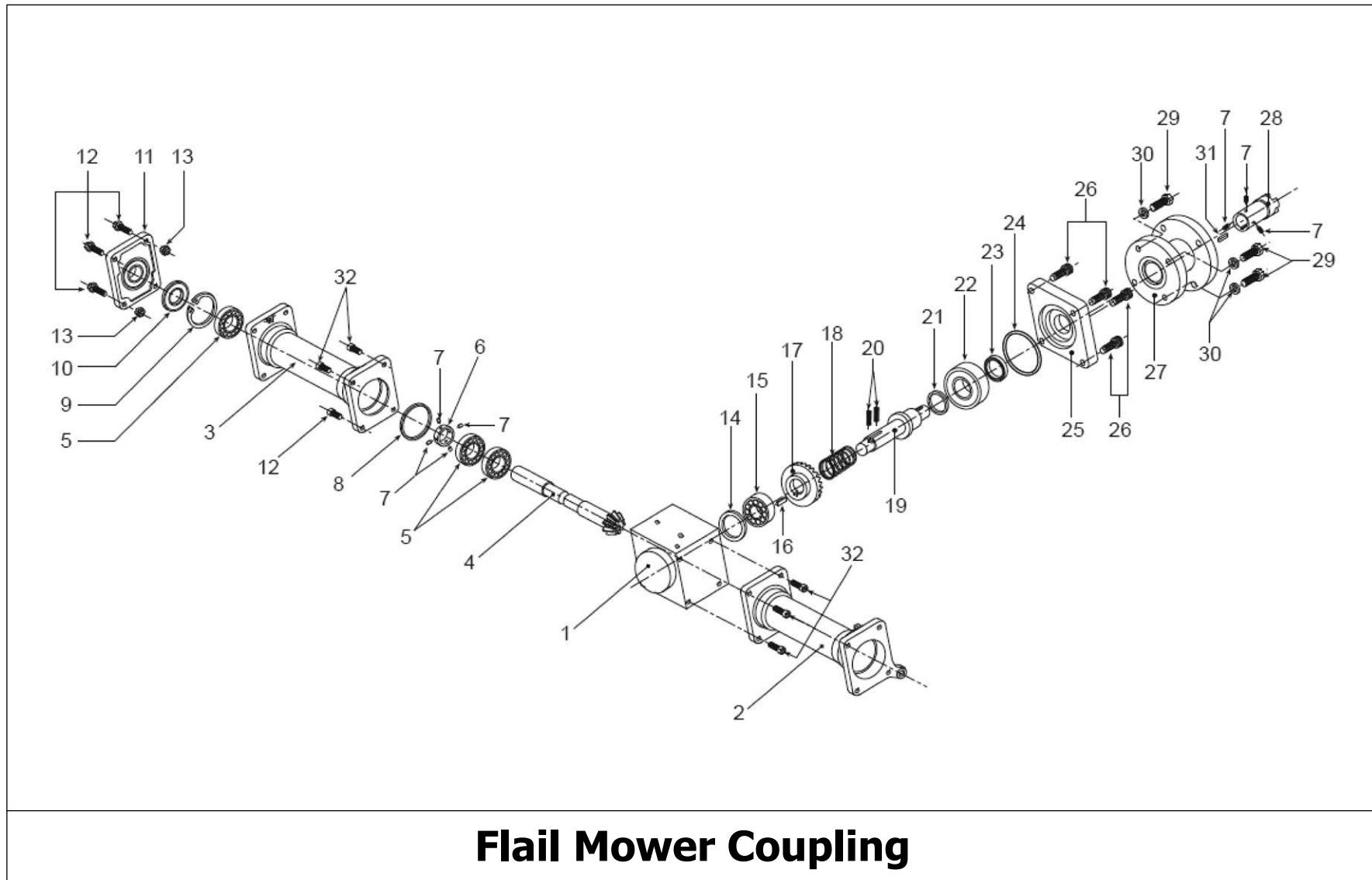
Flail Mower Rotor

Berta Flail Mower Attachment

Pos.	DESCRIPTION	Cod. spare	Qnt	Pos.	DESCRIPTION	Cod. Spare	Qnt
1	Rotor (for Shark TR650)	BE60021	1				
1	Rotor (for Shark TR850)	BE60022	1				
2	Knife (28 pcs for Shark TR650)	BE08018	28				
2	Knife (36 pcs for Shark TR850)	BE08018	36				
3	Hexagon head screw M12x45(10.9-NO DIN !) 14pcs x TR650	BE08019	14				
3	Hexagon head screw M12x45(10.9-NO DIN !) 16pcs x TR850	BE08019	18				
4	Self locking nut M12 DIN 982 (14pcs for Shark TR650)	BE03506	14				
4	Self locking nut M12 DIN 982 (18pcs for Shark TR850)	BE03506	18				
5	Washer 30,2 X 42 X 0,3	BE07053	4				
6	Bearing unit:SKF FYC30TF(modified housing,stand.bearing)	BE60005	2				
7	Socket head screw M12 x 30 - DIN 912	BE02405	8				
8	Self locking nut M12 DIN 982	BE03506	8				
9	Front nose (for Shark TR 650)	BE60023	1				
9	Front nose (for Shark TR (50)	BE60024	1				
10	Front pipe for rubber guards (for Shark TR 650)	BE60025	1				
10	Front pipe for rubber guards (for Shark TR 850)	BE60026	1				
11	Rubber guards (for Shark TR 650)	BE60018	7				
11	Rubber guards (for Shark TR 850)	BE60018	9				
12	Hexagon head screw M12 X 25 - DIN 933	BE02039	2				
13	Washer Ø 12 - DIN 433	BE04016	2				
14	Nylon Washer 17 X 30 X 5 (only for Shark TR850)	BE09051	2				
15	Hexagon head screw TE M8 X 16 - DIN 933	BE02015	4				
16	Washer Ø 8 - DIN 125A	BE04001	4				
17	Self locking nut M8 - DIN 985	BE03510	4				

Flail Mower Rotor

Berta Flail Mower Attachment



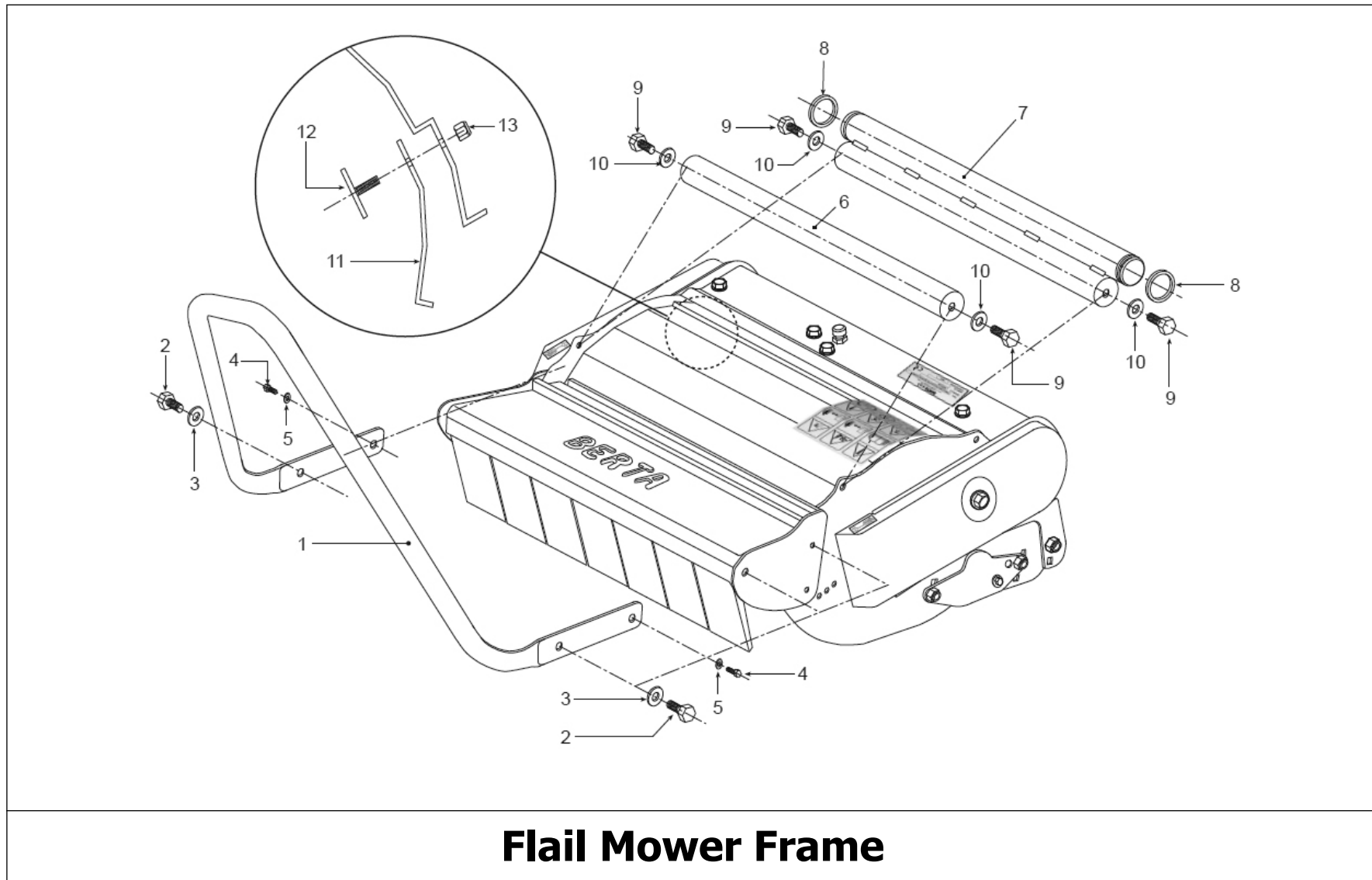
Flail Mower Coupling

Berta Flail Mower Attachment

Pos.	DESCRIPTION	Cod. spare	Qnt	Pos.	DESCRIPTION	Cod. Spare	Qnt
1	Gear-box	BE60036	1				
2	Coupling sleeve - left side (for Shark TR 650)	BE60037	1				
2	Coupling sleeve - left side (for Shark TR 850)	BE60038	1				
3	Coupling sleeve - right/pinion side (for Shark TR 650)	BE60039	1				
3	Coupling sleeve - right/pinion side (for Shark TR 850)	BE60040	1				
4	Pinion Z=9 (for Shark TR 650)	BE60041	1				
4	Pinion Z=9 (for Shark TR 850)	BE60042	1				
5	Bearing 6205	BE05019	3				
6	Fastening ring	BE09021	1				
7	Grub -screw M8 X 10 - DIN 914-45H	BE07016	6				
8	O Ring 3193	BE07055	1				
9	Snap ring I 52 DIN 472-1	BE07056	1				
10	Oil seal 25 X 52 X 7	BE06012	1				
11	Bearing unit:NSK UCF205D1(modified housing,stand.bearing)	BE60013	1				
12	Hexagon head screw M12 X 45 - DIN 933	BE02036	4				
13	Self locking nut M12 - DIN 936	BE03011	4				
14	Washer 50 X 62 X 0,1	BE07057	3				
15	Bearing 6305	BE05020	1				
16	Trapezoidal key (for freewheel)	BE60043	1				
17	Gear wheel Z=29	BE60044	1				
18	Spring Øin. 31 X Ø2 X L=66	BE60045	1				
19	Shaft	BE60046	1				
20	Spring Øin. 6,4 X Ø1 X L=28	BE60047	2				
21	Washer 30 X 42 X 0,1	BE07058	3				
22	Bearing 6209	BE05021	1				
23	Oil seal 45 X 58 X 7	BE06001	1				
24	O Ring 3325	BE07059	1				
25	Gear box cover	BE60048	1				
26	Socket head screw M12 X 20 - DIN 912	BE02407	4				
27	Flange (to fit "for instance" to BCS 730 - 740 bolted version)	BE12001	1				
28	PTO shaft (to fit "for instance" to BCS 730 - 740 bolted version)	BE11003	1				
29	Hexagon head screw M12 X 25 - DIN 933	BE02039	4				
30	Spring washer Ø12 DIN 7980	BE04019	4				
31	Key 6 X 6 X 25 (hardened C45 steel)	BE60049	1				
32	Socket head screw M12 X 25 - DIN 912	BE02406	8				

Flail Mower Coupling

Berta Flail Mower Attachment



Flail Mower Frame

